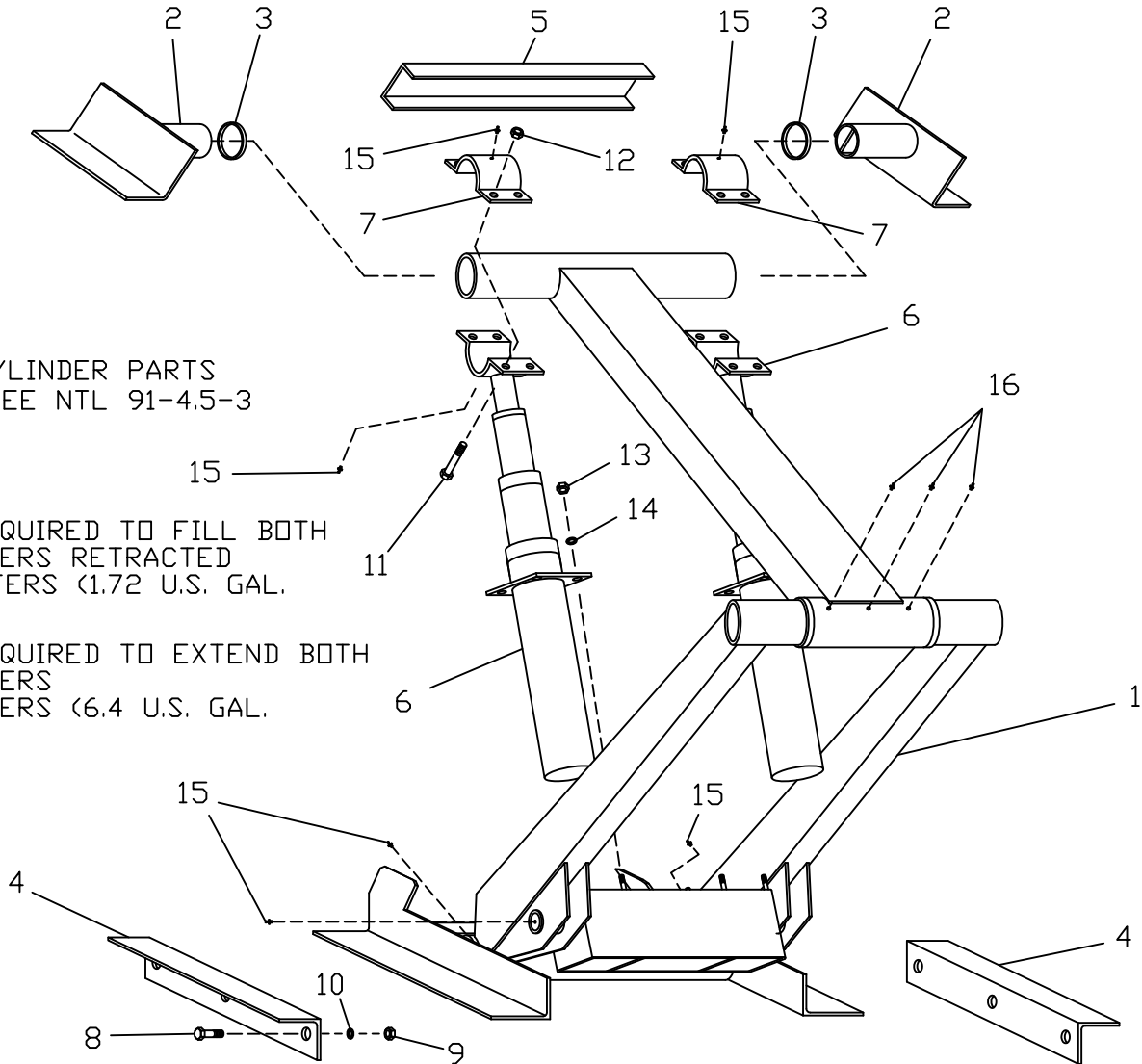


NORDIC®

NTL 4.5-3 HYDRAULIC HOIST PARTS LIST



FOR CYLINDER PARTS
LIST SEE NTL 91-4.5-3

OIL REQUIRED TO FILL BOTH
CYLINDERS RETRACTED
6.3 LITERS (1.72 U.S. GAL.)

OIL REQUIRED TO EXTEND BOTH
CYLINDERS
24 LITERS (6.4 U.S. GAL.)